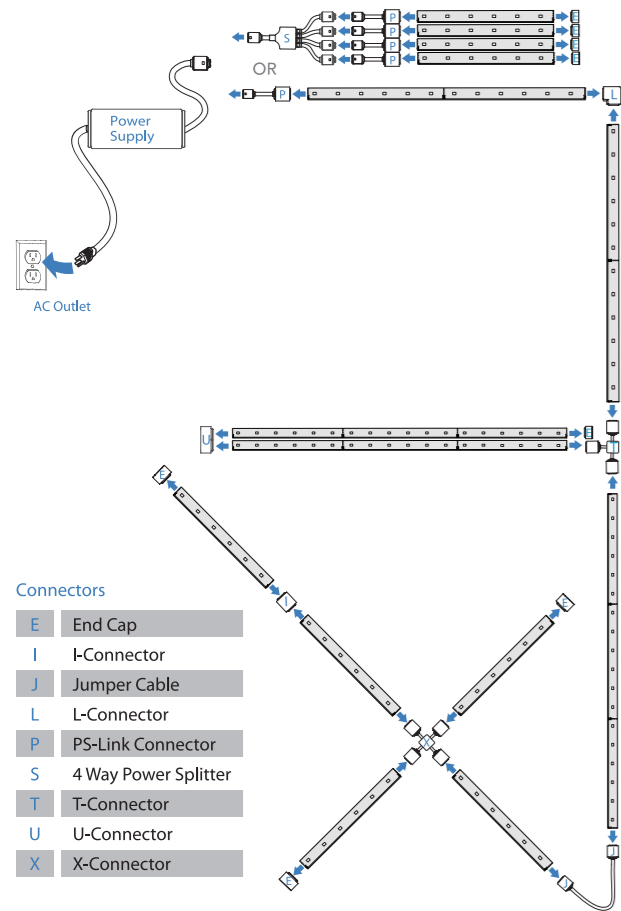


CableD® Strip Dimension



CableD® Component Layout

This diagram illustrates possible layouts for the CableD® 8000 Series. Refer to the Component Overview for additional information.

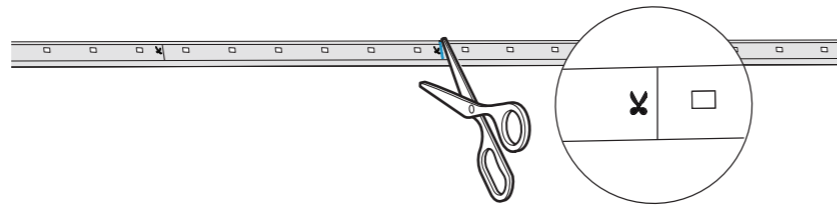


Connectors

- E** End Cap
- I** I-Connector
- J** Jumper Cable
- L** L-Connector
- P** PS-Link Connector
- S** 4 Way Power Splitter
- T** T-Connector
- U** U-Connector
- X** X-Connector

Cut CableD® Strip

Cut CableD® strip to desired length along the cut mark indicated every 18cm / 7inches.



Connectors

Model	Description
4 Way Power Splitter	Connects four CableD® strips to one power supply. Install between power supply and four PS-Link connectors.
PS-Link Connector	Used in ALL installations. Connects CableD® strip to power supply.
I-Connector	Connects two lengths of CableD® strips in a straight line. Use to extend a length of CableD® strip.
Jumper Cable	Connects two CableD® strips with a 10cm / 4inches, 15.2cm / 6inches, 30.5cm / 12inches, 61cm / 24inches, 101.6cm / 40 inches flexible cable.
L-Connector	Connects two CableD® strips at a right angle.
T-Connector	Connects three CableD® strips in a flexible T shape.
U-Connector	Connects two CableD® strips parallel to each other for twice the brightness or a balance of colour temperature.
X-Connector	Connects four CableD® strips at flexible angles.
End Cap	Used in ALL installations. Protects end of CableD® strip that is not connected to a connector.

CableD® Strip Specification

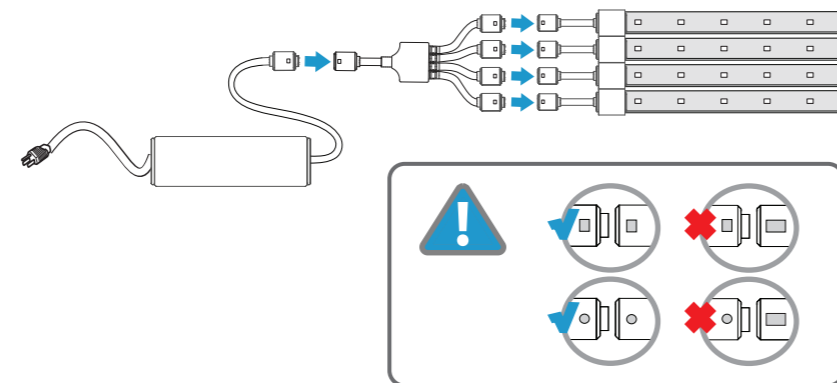
The CableD® strip uses High Brightness LED lights set every inch and can be cut every 18cm / 7inches.

	Warm White (2800K)	Cool White (6500K)
Input Voltage	24 V	
Input Current	280 mA	
Power	6.7 W/m	
Weight	100 g/m	
Lifetime*	35,000 h	
Beam Angle	110°	
Lumen/ Meter	400 lm	440 lm
CRI	80	72
No. of LED/Segment	6 pcs	
LED Pitch	30 mm	
IP Rating	IP65	
Operating Temp.	-20° ~ 50°	
Storage Temperature	-25° ~ 60°	
Min. Bending Radius	10 cm	
Max. Connection Length	10 m	

*With 70% lumen maintenance

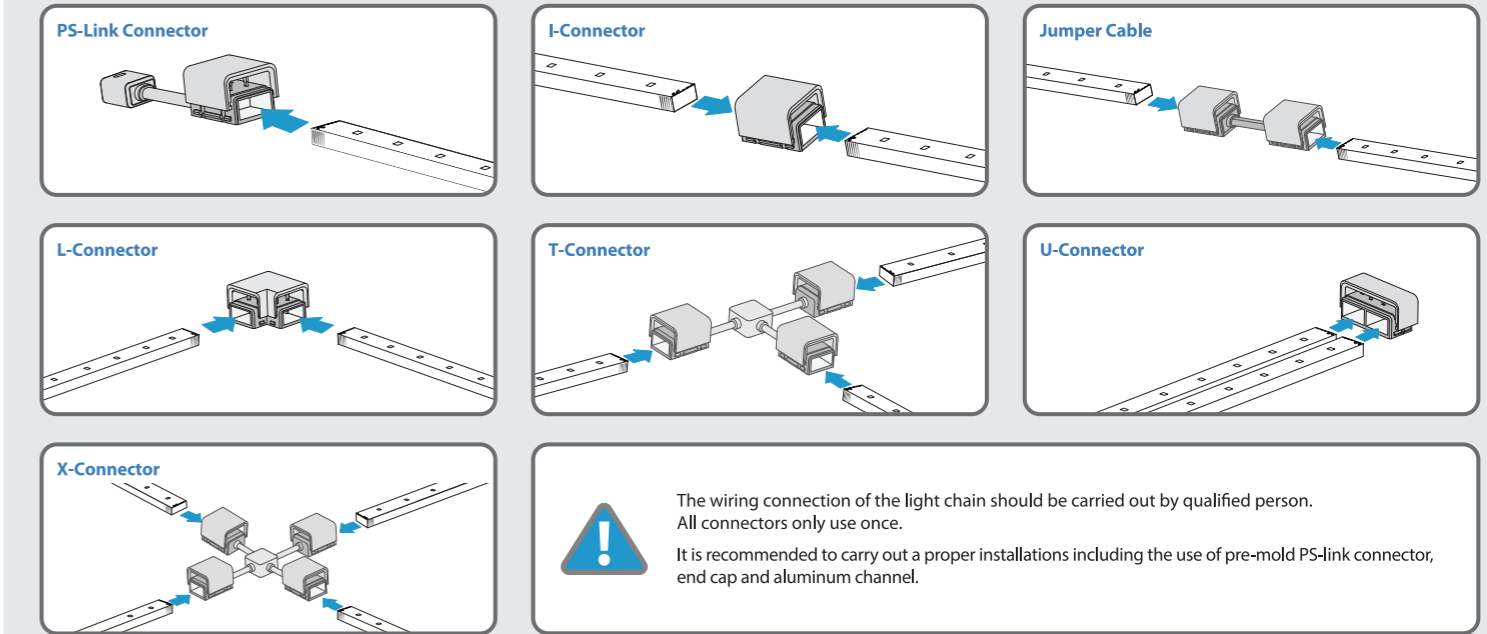
Install 4 Way Power Splitter

A Match the icons on each PS-Link Connector with the icons on the 4 Way Power Splitter. Repeat the same connection method with the power supply and the 4 Way Splitter.



Install Connectors

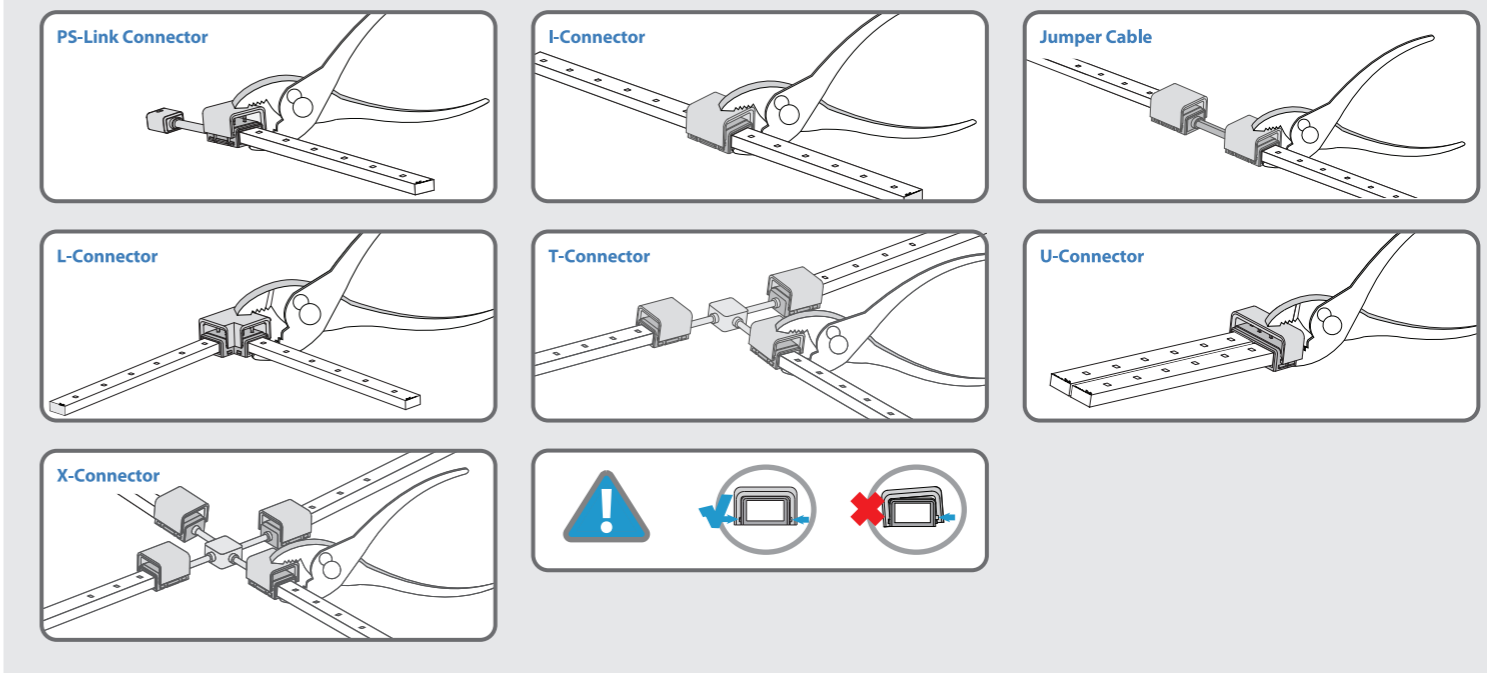
A With the LED side facing up, slide one CableD® strip into the opening in bottom half of one side of the connector until it reaches the end. Repeat with the other CableD® strips in the other sides of the connector if required.



B Push the CableD® strip completely into the connector. The ridges on each side of the CableD® strip will be covered when the strip is properly installed.

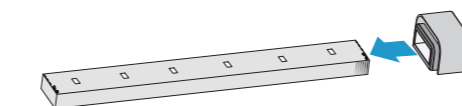


C Using pliers, apply even pressure to the bottom and top halves of the connector to push connector together, securing CableD® strip inside.



Install End Cap

A Slide End Cap onto CableD® strip that will have no connector. The End Cap protects the CableD® strip.



Mounting Options

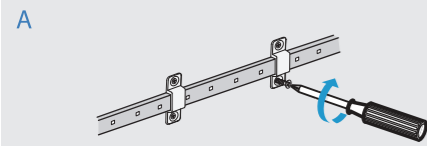
Model	Description
Bridge Bracket	Holds CabLED® strip securely in place using two screws.
Channel Bracket	It installs easily with one screw and is barely visible after CabLED® strip is snapped into place.
Channeling	CabLED® strip snaps securely into channeling that runs the length of the installation.
Edge Bracket	Use for flush mount installations such as along a baseboard. Suitable for use in high traffic areas.
Garden Stake	Use for outdoor ground installations. Holds the CabLED® above ground so it will not be submerged in water and adjusts to direct the angle of light from 0 to 135 degrees. May be used with Channeling.

M2.9 (#4) screw is recommended

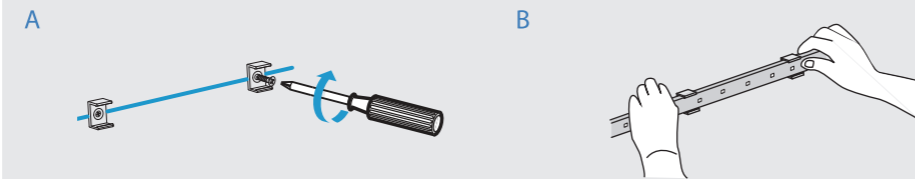
Mark Placement for Brackets



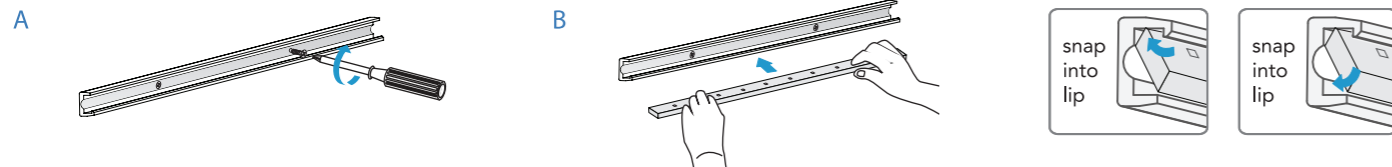
Install Bridge Bracket



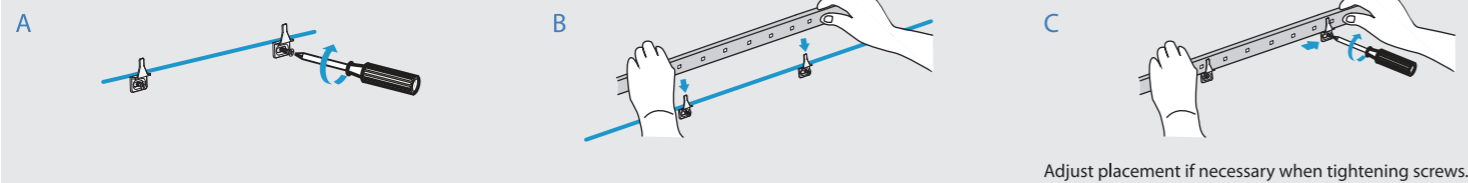
Install Channel Bracket



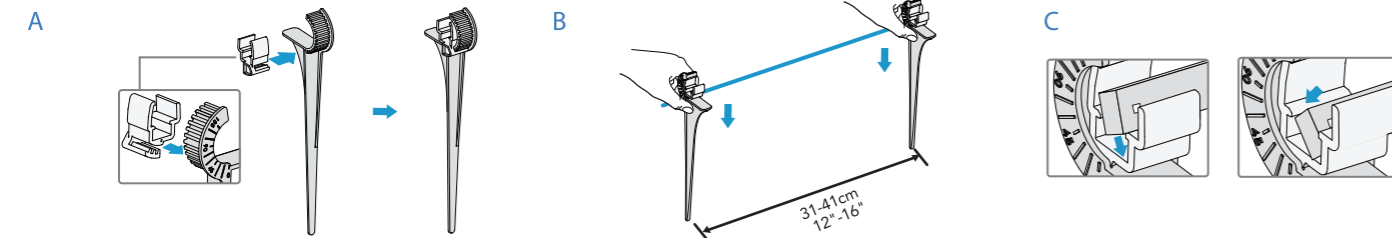
Install Channeling (Use aluminum Channel)*



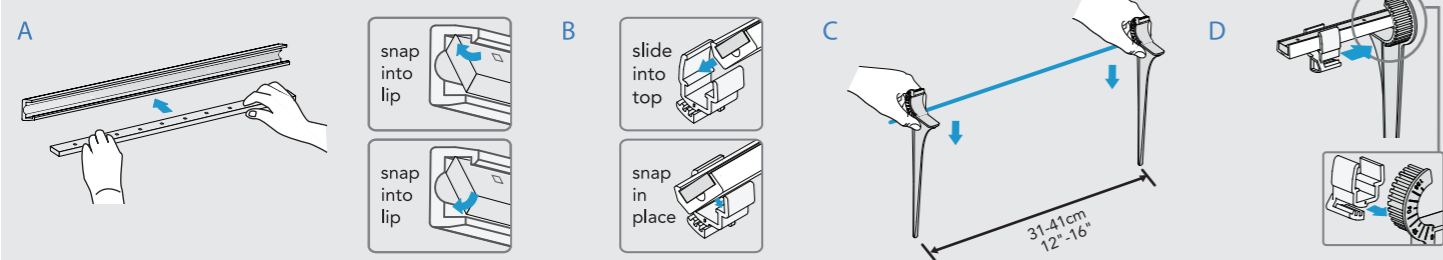
Install Edge Bracket



Install Garden Stake



Install Garden Stake With Channeling



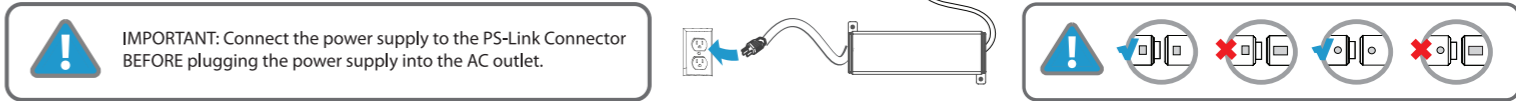
Power Supply

Select the correct power supply, determine the length of CabLED® strip needed.

	Recommended Power Supply	Recommended Length of CabLED® Strip
	18 Watt 24V DC	Up to 4.5 m / 14.7 ft
30 Watt 24V DC	4.5 - 7.5 m / 14.7 - 24.6 ft	
60 Watt 24V DC	7.5 - 15 m / 24.6 - 49.2 ft	
100 Watt 24V DC	15 - 25 m / 49.2 - 82 ft	

Connect to Power

Matching the icons, connect the PS-Link Connector to the power supply. Plug the power supply into the AC outlet.



- IMPORTANT:** The CabLED® 8000 system is designed to work ONLY with the power supplies, connectors, mounting options, and accessories listed. Do NOT substitute other products as they may damage your system.
- IMPORTANT:** Do not plug into outlet until power supply is secured. Place power supply near outlet and off the ground so there is no chance of it being submerged in water.
- IMPORTANT:** Risk of fire and electric shock. Uncoil flexible CabLED® light strip prior to plugging into receptacle.
- IMPORTANT:** The connectors consist of two parts, a top and bottom, which are partially assembled at the factory. DO NOT push the connectors together before you are ready to install.
- IMPORTANT:** The CabLED® strip may ONLY be cut every 18cm/7.09 inches, indicated by a cut line on the LED side of the strip. When you are measuring for your installation, if the total length in inches is not a multiple of 7, then adjust the plan of your layout to use the nearest cut line marked on the strip.
- IMPORTANT:** When using pliers that do not cover the entire surface of the connector, hold the connector and strip steady so the CabLED® strip remains in position. Carefully rotate the pliers and apply pressure to each side of the connector, pushing the top and bottom together.
- IMPORTANT:** There is only one way to connect the 4 Way Power Splitter to the power supply and PS-Link Connectors. Make certain the icons match before connecting. Connect the 4 Way Power Splitter to the PS-Link Connectors and to the power supply BEFORE plugging the power supply into the AC outlet.
- IMPORTANT:** There is only one way to connect the PS-Link Connector to the power supply. Make certain the icons match before connecting. Connect the power supply to the PS-Link Connector BEFORE plugging the power supply into the AC outlet.
- IMPORTANT:** Use Garden Stakes where CabLED® strip will be installed on the ground outside. Install so CabLED® or connectors will NOT be submerged in water.
- IMPORTANT:** Do not coil the strip into a tight circle with a diameter less than 20cm/8 inches.

ELECTRICAL RATING

To avoid any malfunctions of the system, and to protect against electrical shock, fire or physical injury, please observe the following:
This system has been designed to work with 100-240 volt AC current. Connection to a line voltage other than that may create a safety and fire hazard and may damage the system. If you are unsure of the type of power supply to your home, consult your local power company or a qualified service technician.

GROUNDING INSTRUCTIONS

This product must be grounded. If it should malfunction or breakdown, grounding provides a path of least resistance for electric current to reduce the risk of electric shock. This product is equipped with a cord having an equipment-grounding conductor and a grounding plug. The plug must be plugged into an appropriate outlet that is properly installed and grounded in accordance with all local codes and ordinances.
WARNING – Improper connection of the equipment-grounding conductor is able to result in a risk of electric shock. Check with a qualified electrician or serviceman if you are in doubt as to whether the product is properly grounded. Do not modify the plug provided with the product - If it will not fit the outlet, have a proper outlet installed by a qualified electrician.
Ground Fault Circuit Interrupter (GFCI) protection should be provided on the circuits or outlet to be used for the outdoor use flexible lighting product. Receptacles are available with built-in GFCI protection for this measure of safety. If you are unsure of the type of outlet, consult a qualified service technician to install a GFCI receptacle.

POWER SOURCE

Do not modify the plug provided with the product - If it will not fit the outlet, have a proper outlet installed by a qualified electrician.
Damaged or deformed power cords are hazardous and should be replaced immediately by a qualified service technician.
Do not connect the chain to the supply while it is in the packing.

OPERATION

Do not operate with the flexible light tightly coiled.
Do not puncture, cut, shorten, or splice the flexible lighting.
Unplug the unit and the AC power adapter from the electrical outlet during electrical storms or when unused for long periods of time to prevent damage.
For outdoor use units, make sure that all connections and the end cap in the last segment are tightly secured to preclude the entry of water.
Do not exceed the recommended length of CabLED® strip listed for each power supply.
Do not look directly into the LED lights when lit. They are powerful and could damage your vision.
Do not connect this chain electrically to another chain.
Type Z warning: The external flexible cable or cord of this luminaire cannot be replaced; if the cord is damaged, the luminaire shall be destroyed.
"WARNING - THIS LIGHTING CHAIN MUST NOT BE USED WITHOUT ALL GASKETS BEING IN PLACE"

LOCATION

Place power supply well above the ground or in an area they will NOT be submerged in water or other liquids.
The CabLED® strip and components are rated IP65, weather proof only. Do not submerge the flexible lighting in liquids, or use the product in the vicinity of standing water or other liquids.
Keep all components away from extreme heat sources such as heating vents, radiators, electric heaters and fire pits.
Do not cover this product as the covering may cause the flexible light to overheat and melt or ignite.
Do not submerge the flexible light in liquids, or use the product in the vicinity of standing water or other liquids.
Do not route the cord or flexible lighting through walls, doors, windows or any like part of the building structure.
Place CabLED® strip so it will not shine directly into people's eyes.

INSTALLATION

Safety measures must be observed at all times during the installation of this product. Use proper safety gear and tools during the installation process to prevent physical injury.
Products should be installed in accordance with the user manual, current electrical codes and/or the current National Electric Code (NEC). Improper installation may cause a possible shock or fire hazard.
To avoid electrical shock and/or damage to the system, do not handle the components with wet hands.
Always make sure the CabLED® strip is disconnected from the power source before cutting, connecting, mounting or modifying in any way. Do NOT dismantle the CabLED® strip itself.
Do not coil the strip into a tight circle with a diameter less than 20cm/8 inches or bend it in half as it may damage the LEDs embedded in the CabLED® strip.
Do not subject the flexible CabLED® strip to continuous flexing.
Do not use if there is any damage to the light or cord insulation. Inspect periodically.
CabLED® connectors have sharp pins inside. Follow instructions when handling.
Use only CabLED® connectors, mountings and power supply. Carefully follow the instructions to install and mount.
Secure this flexible strip using only the hangers or clips provided. Do not secure this product or its cord with staples, nails and double-sided tape, or like means that may damage the insulation.
The wiring connection of the light chain should be carried out by qualified person.

CLEANING

Clean only with a dry or slightly damp cloth. Do not use any acid or alkaline liquids, cleansing agents or solvents. Unplug the system from the wall outlet before cleaning.

NON-USE PERIODS

When left unused for long periods of time, the system should be unplugged from the AC outlet.

SERVICE

Always remove the AC power adapter from the electrical outlet before adjusting or inspecting the system. Inspect your system periodically.
Do not open, dismantle or attempt to repair the CabLED® strip or the bottom half of the connectors. There are no user-serviceable parts.
Do not open the cabinets of accessories or power supply. There are no user-serviceable parts. Opening the cabinets may present a shock hazard, and any modification to the product will void your warranty.
Do not attempt to service the components yourself. If water or any metal objects such as paper clips, wire or staples accidentally fall inside, then disconnect from the power source immediately and consult an authorized service center. The lamps are not replaceable.

*Technical data are based on optimum conditions and actual performance may vary.

Warranty : Please contact local Optiled office or distributors for more information.

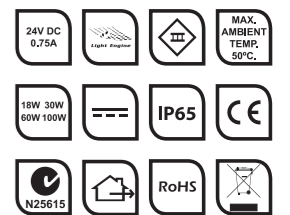
The OPTILED logo is a registered trademark.

The CabLED logo is a registered trademark.

© 2012 OPTILED, all rights reserved.

Country of origin : China

U.S. Design Patent No. D635, 930 S



OPTILED

Email: info@optiled.com
Website: www.optiled.com